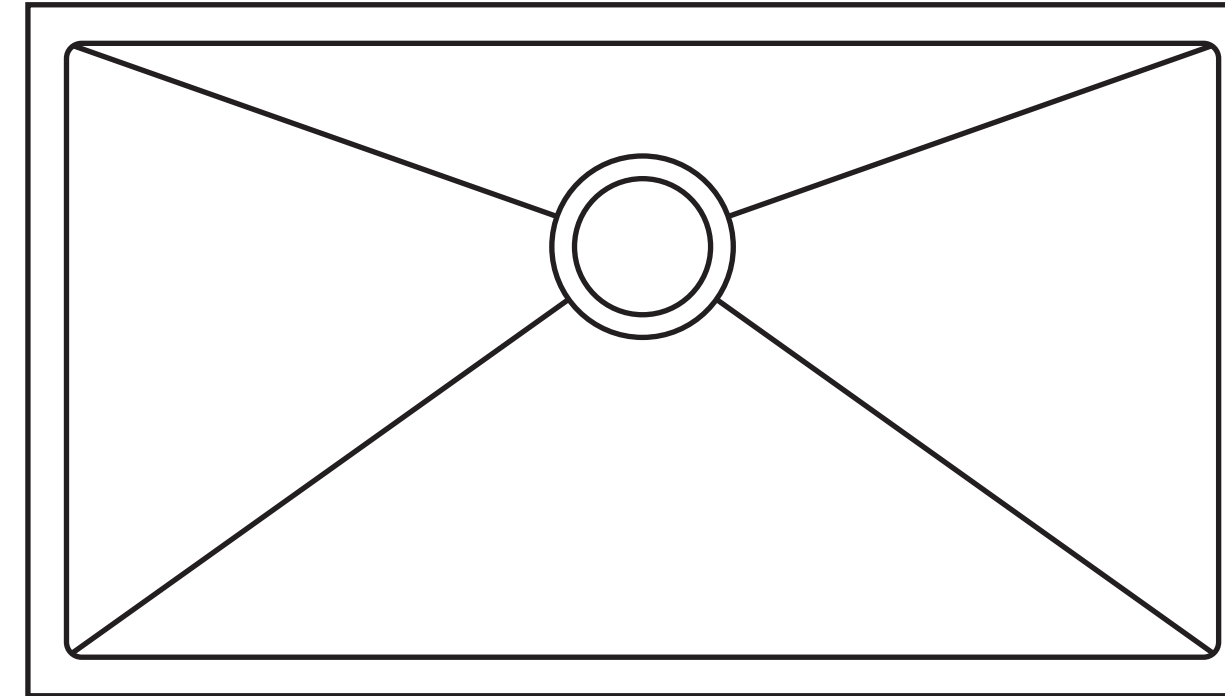


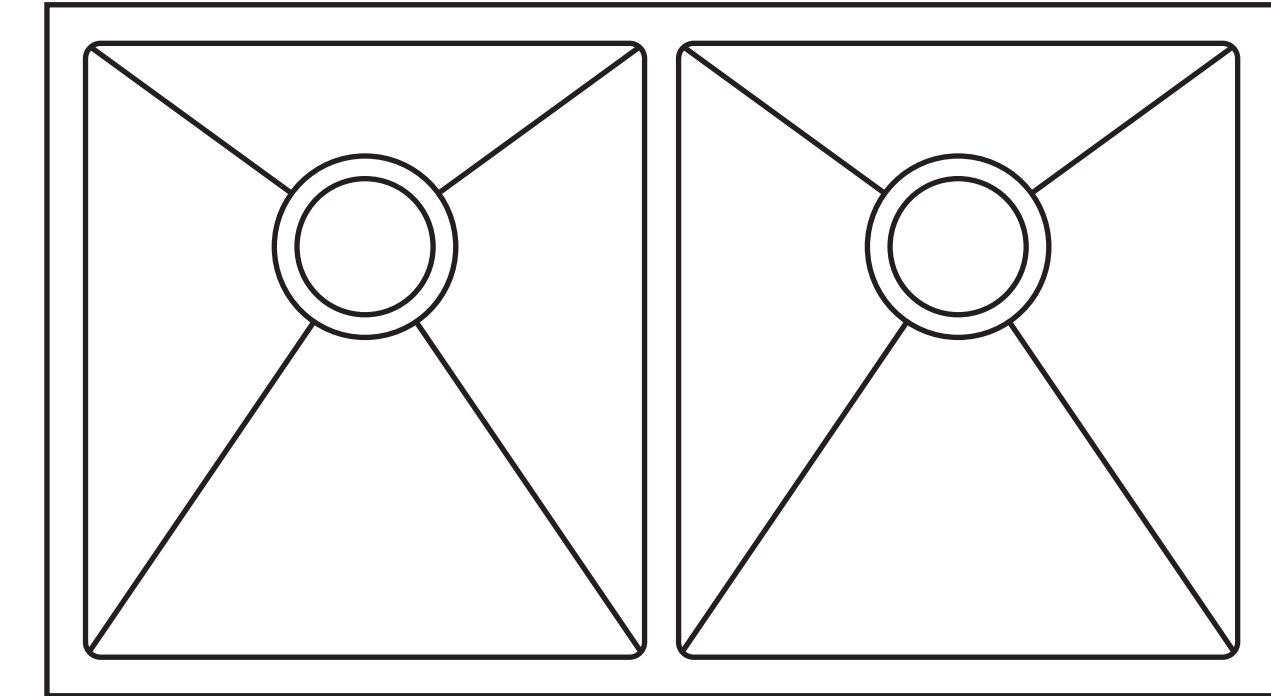
Cutout template for stainless steel Sink

R3.65

HMU3218F9



HMU3218C9



Cutout template for Under mount installation method

Suitable for sink with external dimensions
L32" x W18"

394.50

Please check actual template against physical sink unit for most accurate cut!

Note: Cutout Template is provided as a guide only and should be checked against actual sink to determine correct fit.

750.10